

**Type: PFN2029**

◆ **Product Description**

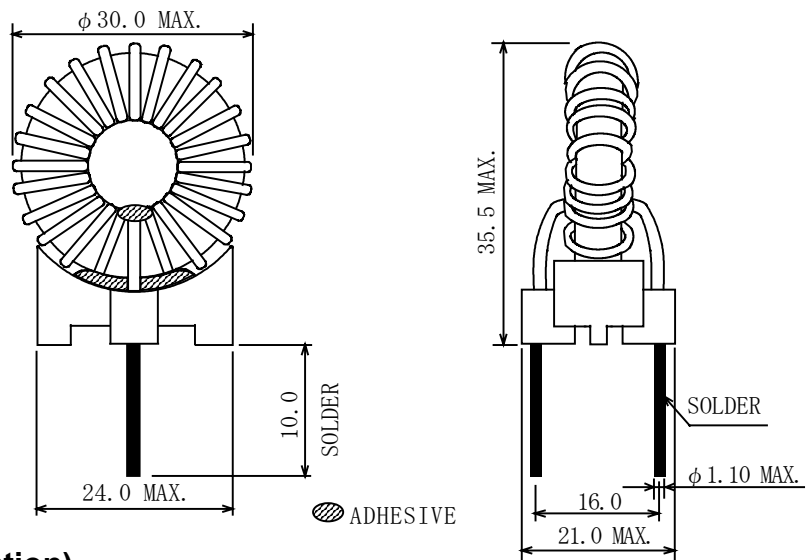
- $\phi$  30.0mm  $\times$  35.5mm.MAX.
- Custom design is available



◆ **Feature**

- Iron dust core is used to realize better DC Saturation characteristics and higher noise absorption effect.
- Less leakage magnetic flux .
- Ideally used as Normal Mode chokes EMI suppression in power supplies or signal lines.
- Ideally used as Power Factor Correction choke
- Elimination for impulse noise.
- RoHS Compliance

◆ **Dimensions (mm)**



◆ **Specification (For EMC application)**

Sample No.	Inductance ( $\mu$ H) [MIN.] At 1kHz	D.C.R.(m $\Omega$ ) [MAX.] (at20 $^{\circ}$ C)	Rated Current (A) $\times$ 1
PFN2 $\emptyset$ 29NP-NM42A	52	30	6.1
PFN2 $\emptyset$ 29NP-NM53A	83	38	5.4

※ Rated current: The DC current at which the temperature rise is  $\Delta t=40^{\circ}$ C.( $T_a=20^{\circ}$ C).

◆ **Specification (For PFC application)**

Sample No.	Inductance( $\mu$ H) At 1kHz	D.C.R. (m $\Omega$ ) [MAX.] (at20 $^{\circ}$ C)	Rated Current (A) $\times$
5342-T010	10.0 $\pm$ 20%	8.5	10.0

※ Rated current: The DC current at which the inductance decreases to 90 % of it's initial value or when  $\Delta t=40^{\circ}$ C, whichever is lower( $T_a=20^{\circ}$ C).